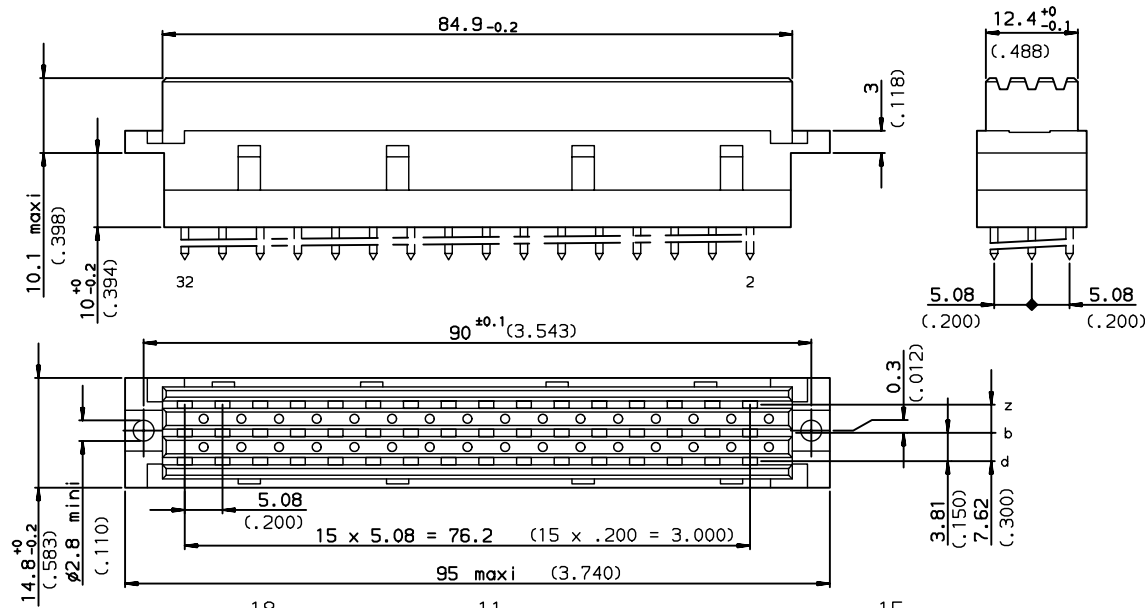


DIMENSIONS mm (inches)



ELECTRICAL DATA

- Current at AMB. 5.5 A at 20° / 4 A at 70°
- Contact resistance <math>15\text{m}\Omega</math> according to DIN 41640 Teil 4 test 2a
- Insulation resistance >math>10^7</math> M $\Omega</math> according to DIN 41640 teil 7 test 3a$
- TEST VOLTAGE according to DIN 41640 teil 21
- contact/contact 1550V eff
- contact/ground 2500V eff

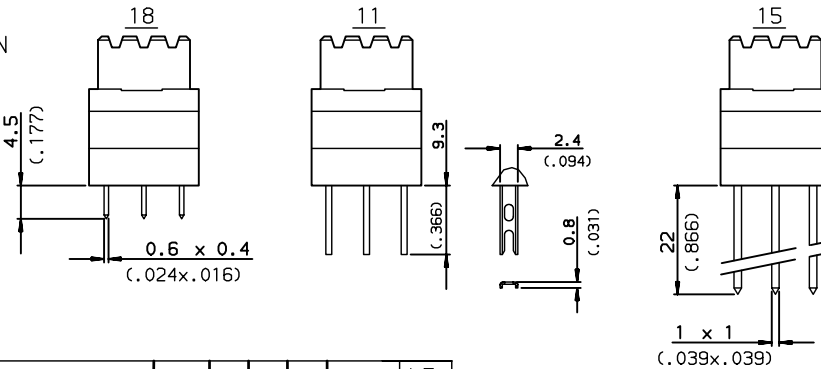
MECHANICAL DATA

- Insertion force <math>475\text{N}</math>
- Mechanical endurance -class 1 500 matings unmatings according to DIN41640 teil 21
- class 2 400 matings unmatings according to DIN41640 teil 21
- Material insulator Polyester UL94V0
- Material contacts Bronze
- Finishing contact surface Gold over nickel Lead Free
- Finishing termination Lead-Free
- Shock <math>30\text{m}</math> according to DIN 41640 Teil 14 test 6c
- Vibration -class 1 10-2000Hz/20g according to DIN 41640 Teil 15
- class 2 10-500Hz/5g according to DIN 41640 Teil 15

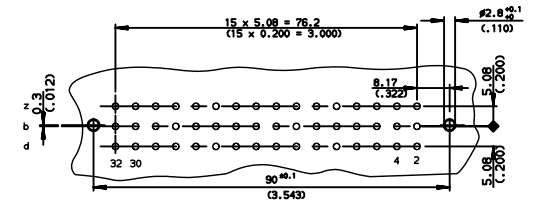
ENVIRONMENTAL DATA

- Climatic category According to DIN 41612
- Corrosion According to DIN 41612

TERMINATION



P.C. CARD DRILLING



NOTE RoHS INFORMATION

- The "LF" products meet European Union Directives and other country regulations as described in 65-22-008.
- The housing will withstand exposure to 260°C peak temperature for 3.5 seconds in a wave solder application with a 1.6mm minimum thick circuit board.
- Packaging spec: see 65-14-920

LEAD-FREE PART-NUMBER	5159	09	1	90	LF
CONTACT TERMINATION	Straight sp/LLs, W.W 3wraps _____ 0				
Hand solder	_____ 9				
NUMBER OF CONTACTS	32 or 48				
TERMINATION	Straight sp/LLs _____				
W.W. 3 wraps	_____				
Hand solder	_____ -una				
PERFORMANCE CLASS	DIN 41612 class 2 _____				
DIN 41612 class 1	_____ 4.0				
CONTACT ARRANGEMENT	Row z, b and d with contacts (48) _____ -111				
Row z and d with contacts (32)	_____ -101				
Row z and b with contacts (32)	_____ -110				
Row z, b and d with contacts (48)	_____ -AAC				
Row z and d with contacts (32)	_____ -AAA				
Row z and b with contacts (32)	_____ -AAB				
LEAD-FREE					

rev	ecn no	dr	date
A	-	-	-
B	-	-	-
C	L506-0119	JQU	2006/12/13
D	L506-0022	LGO	2006/02/21
E	L506-0097	LGO	2006/07/26
F	L506-0113	LGO	2006/08/30
G	L507-0288	LGO	2007/11/19

www.fciconnect.com		surface ISO 1302	tolerance std ISO 406 ISO 1101	projection	mm
Dr MPESSON 2006/02/21		TOLERANCES UNLESS OTHERWISE SPECIFIED		size A2	Scale 2
Eng MPESSON 2006/02/21		ANGULAR	0.x ±0.1	ECN L507-0288	Rev.
Chr LEGARE 2006/02/21		0.xx ±0.1	0.xxx ±0.1	Product family	Spec ref -
Appr LEGARE 2006/02/21		Product family	DIN POWER 5159	C01-5159-0036	
RECEPTACLES- MEDIUM POWER -3 ROW		STYLE F		6	
catalog no -		CUSTOMER		sheet 1 of 1	